

APPLICATIONS

Unilift CC are multi-purpose submersible drainage pumps designed to handle clean water, groundwater and grey wastewater with particles up to 10mm.

It must be completely or partly submerged in the liquid.

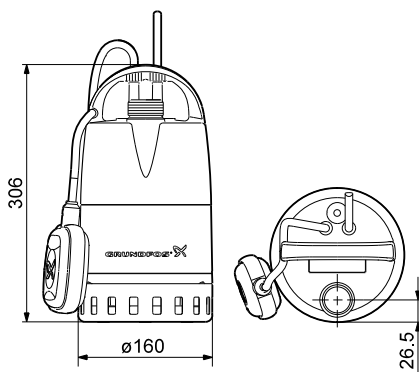
FEATURES

- Low-suction ability - down to 3mm when the strainer is removed
- Self venting valve in the pump allows for optimal operation
- Adaptor for easy connection and non-return valve included
- Easy float switch adjustment to control start/stop levels
- Ceramic shaft seal with triple seals for efficient motor protection
- Includes built-in thermal overload protection

CONSTRUCTION

- Composite and stainless steel materials
- Robust stainless steel strainer, which allows free passage for particles up to 10mm
- Ceramic seal
- IP68 motor, Class B

DIMENSIONS



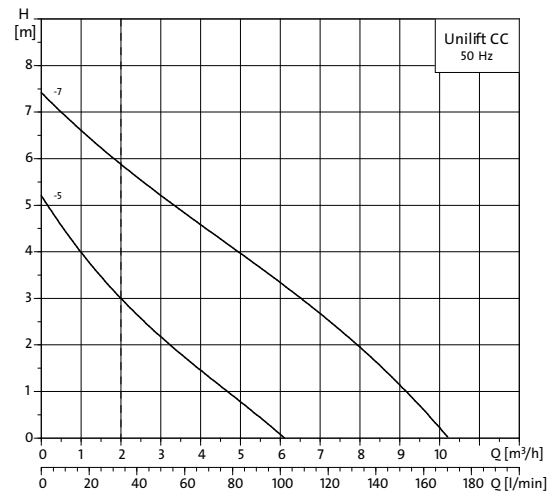
TECHNICAL FEATURES

Pumps	Cable (m)	P1 (kW)	1 ph In (A)	Water temp (°C)	Outlet	Dimensions (mm)		Weight (kg)	l/min	Q					
						H	B1			0	30	60	90	120	150
Unilift CC5 A1	10	0.25	1	0/40	1 1/4" M	306	160	4.3	m Head	5.2	3.2	1.8	0.5	-	-
Unilift CC7 A1	10	0.38	1.8	0/40	1 1/4" M	306	160	4.6	m ² /h	7.4	6.1	4.8	3.8	2.6	1.1

*70°C max. for 2 minutes at intervals of at least 30 minutes.

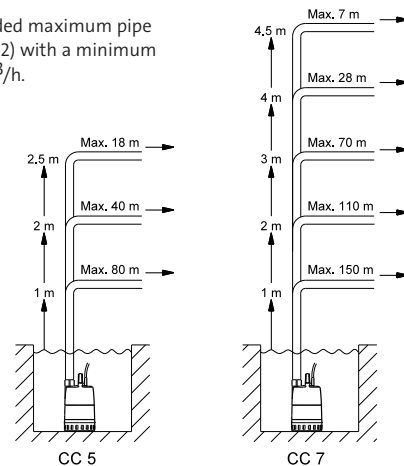


2 YEAR WARRANTY



PERFORMANCE

Recommended maximum pipe length (DN32) with a minimum flow of 2 m³/h.

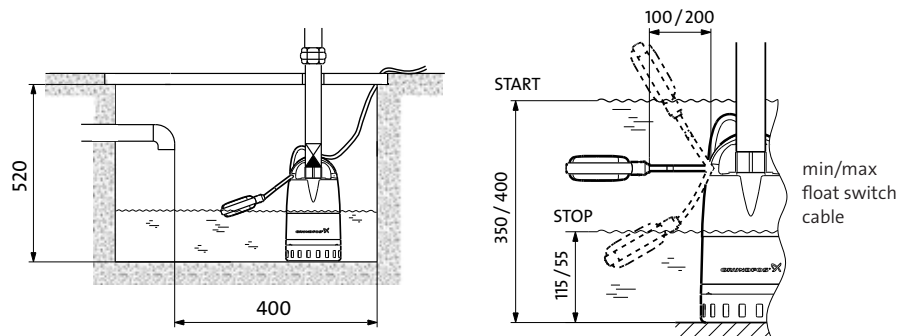


Installation depth: maximum of 10m below the water level.

INSTALLATION

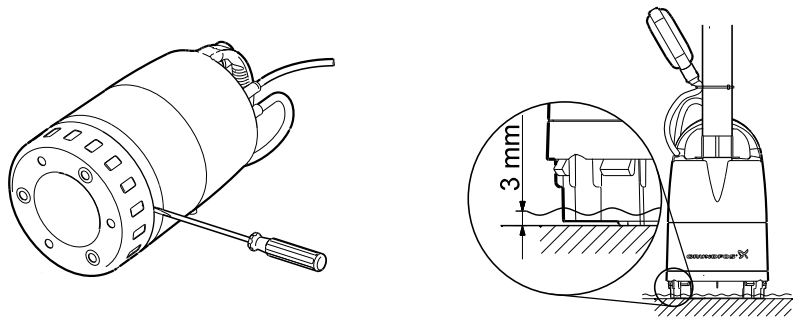
SPACE REQUIREMENTS

The pumps are supplied with 10 metres of cable. If the pump is installed in a pit, the minimum dimensions must be as in the drawing. The UNILIFT CC is equipped with a float switch with adjustable cable length.



LOW SUCTION

It is possible to obtain low suction by removing the suction strainer with a screwdriver. This makes the pump capable of pumping down to a liquid level of 3mm. The self-prime level is 5mm.



COMPONENTS INCLUDED

The pump is delivered with an adapter for connection and a non-return valve. The adapter has 3/4", 1" and 1 1/4" external threads. The adapter has to be cut to fit the actual discharge pipe. The non return valve can be fitted in the adapter. It prevents backflow when the pump is stopped.

