

## APPLICATIONS

The AP35B and AP50B submersible pumps are specially designed for lifting domestic sewage or any other non-aggressive liquid containing solid matter up to 50 mm. They can be installed vertically or horizontally.

## FEATURES

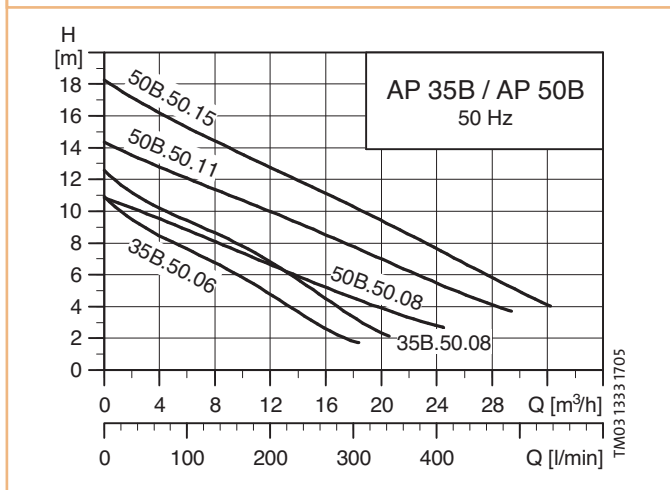
- Single-phase models supplied with float switch and standard electric plug
- Auto Coupling available as an accessory for installation on a guide bar enabling positioning/removal of the pump from outside the hole
- Solid handling capacity: 35 mm for AP35B and 50 mm for AP50B
- Unique clip assembly system enabling immediate access to the impeller without disassembly tools
- Easy service of the power cable and float

## CONSTRUCTION

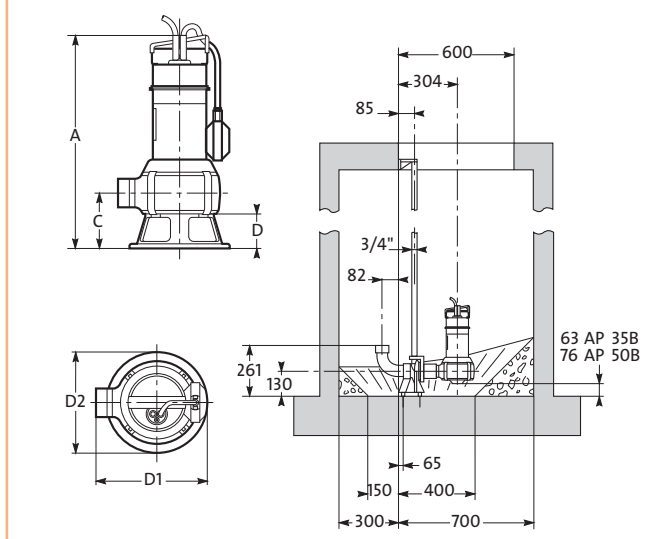
- Stainless steel volute, pump housing and impeller
- IP68 motor
- Insulation Class F
- Vortex impeller
- Silicon carbide mechanical seal
- Voltage: 1 x 240 V with float switch (A1) or 3 x 415 V

## TECHNICAL FEATURES

Pumps	Cable (m)	P2 (kW)	1 ph In (A)	3 ph In (A)	Water temp (°C)	Outlet	Dimensions (mm)					Performance						
							A	C	D	d1	d2	l/min	0	100	200	300	400	500
												m <sup>3</sup> /h	0	6	12	18	24	30
Unilift AP35B-50-06-A1	10	0.66	4	-	0/40	2" F	443	116	73	234	210		10.5	7.4	4.5	1.7	-	-
Unilift AP35B-50-08-A1	10	0.71	5.5	-	0/40	2" F	468	116	73	234	210		12.5	9.4	6.8	3.4	-	-
Unilift AP50B-50-08-A1	10	0.74	5.4	-	0/40	2" F	443	116	73	234	210	m Head	11.0	8.9	6.7	4.5	2.8	-
Unilift AP50B-50-11-A1	10	1.1	8	-	0/40	2" F	468	116	73	234	210		14.0	11.5	9.5	7.2	4.9	-
Unilift AP50B-50-11-3	5	1.3	-	2.8	0/40	2" F	468	116	73	234	210		14.3	12.1	10.0	7.8	5.5	-
Unilift AP50B-50-15-3	5	1.5	-	3	0/40	2" F	468	116	73	234	210		18.3	15.2	12.8	10.2	7.6	5.0



## DIMENSIONS / INSTALLATION



Installation depth: max. 10 m below the water level.  
In continuous operation the pump must be continuously submersed.

## Installation with Auto Coupling

- 1 Pump
- 2 Non-return valve
- 3 Lifting chain
- 4 Auto Coupling
- 5 Isolation valve
- b Guide bar

